

ESKA Fuses

Product Dimensions(mm)

Part Number	A	B	C	D	E	Lead	Fig
	Max.	Max.	Max.	Min.	Typ.	Size(ϕ)	
LB080	5.8	9.9	4.6	4.7	5.1	0.6	1
LB080U	4.8	9.3	3.8	4.7	5.1	0.6	1
LB110	5.8	9.9	4.6	4.7	5.1	0.6	1
LB110U	4.8	9.3	3.8	4.7	5.1	0.6	1
LB120	6.5	11.0	4.6	4.7	5.1	0.6	2
LB120U	6.0	10.0	3.8	4.7	5.1	0.6	2
LB145	6.5	11.0	4.6	4.7	5.1	0.6	2
LB145U	6.0	10.0	3.8	4.7	5.1	0.6	2
LB180	13.5	14.6	3.8	4.7	5.1	0.6	2
LB180U	10.5	12.6	3.8	4.7	5.1	0.6	2
LBV150	13.5	14.5	6.5	4.7	5.1	0.6	2
LBV160	13.5	14.5	6.5	4.7	5.1	0.6	2

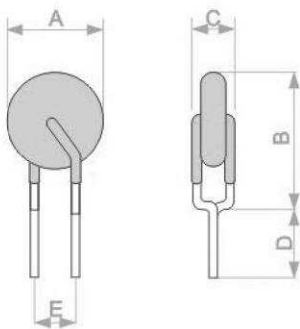


Figure1

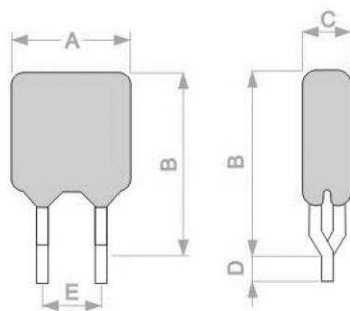
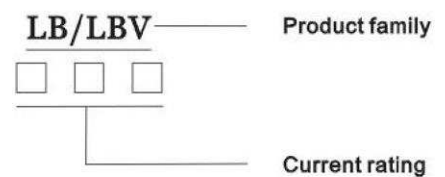


Figure2

Part Marking System



※Lead materials: Tin-plate metal wire.

※Lead-free devices are available.

Electrical Characteristics

Part Number	I_H	I_T	T_{trip}		$V_{max\ interrupt}$	I_{max}	Pd_{typ}	R_{min}	R_{max}
	(A)	(A)	Current(A)	Time(S)	(V)	(A)	(W)	(Ω)	(Ω)
LB080	0.080	0.160	0.35	3.00*	250	3.0	1.0	15.00	22.00
LB080U	0.080	0.160	0.35	3.00*	250	3.0	1.0	14.00	20.00
LB110	0.110	0.220	1.00	1.15	250	3.0	1.0	7.00	11.00
LB110U	0.110	0.220	1.00	0.75	250	3.0	1.0	6.50	11.50
LB120	0.120	0.240	1.00	1.00	250	3.0	1.0	4.00	12.00
LB120U	0.120	0.240	1.00	0.90	250	3.0	1.0	6.00	12.00
LB145	0.145	0.290	1.00	2.50	250	3.0	1.0	3.00	7.50
LB145U	0.145	0.290	1.00	2.00	250	3.0	1.0	3.50	6.50
LB180	0.180	0.360	1.00	17.00	250	10.0	1.0	0.80	2.00
LB180U	0.180	0.360	1.00	15.00	250	10.0	1.0	0.80	2.00
LBV150	0.150	0.300	1.00	5.00	600	3.0	1.0	6.00	12.00
LBV160	0.160	0.320	1.00	7.00	600	3.0	1.0	4.00	10.00

Product Dimensions(mm)

Part Number	A	B	C	D	E	Lead	Fig
	Max.	Max.	Max.	Min.	Typ.	Size(ϕ)	
LB080	5.8	9.9	4.6	4.7	5.1	0.6	1
LB080U	4.8	9.3	3.8	4.7	5.1	0.6	1
LB110	5.8	9.9	4.6	4.7	5.1	0.6	1
LB110U	4.8	9.3	3.8	4.7	5.1	0.6	1
LB120	6.5	11.0	4.6	4.7	5.1	0.6	2
LB120U	6.0	10.0	3.8	4.7	5.1	0.6	2
LB145	6.5	11.0	4.6	4.7	5.1	0.6	2
LB145U	6.0	10.0	3.8	4.7	5.1	0.6	2
LB180	13.5	14.6	3.8	4.7	5.1	0.6	2
LB180U	10.5	12.6	3.8	4.7	5.1	0.6	2
LBV150	13.5	14.5	6.5	4.7	5.1	0.6	2
LBV160	13.5	14.5	6.5	4.7	5.1	0.6	2

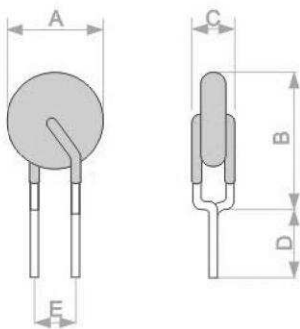


Figure1

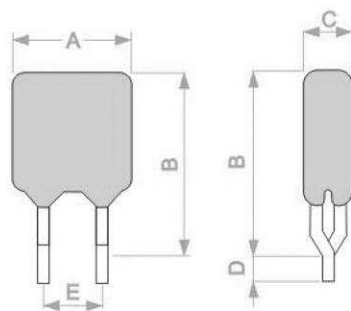
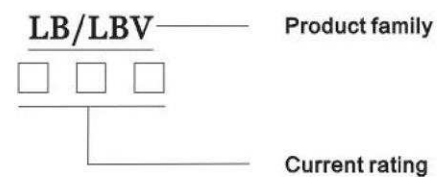


Figure2

Part Marking System



※Lead materials: Tin-plate metal wire.

※Lead-free devices are available.

Electrical Characteristics

Part Number	I_H	I_T	T_{trip}		$V_{max\ interrupt}$	I_{max}	Pd_{typ}	R_{min}	R_{max}
	(A)	(A)	Current(A)	Time(S)	(V)	(A)	(W)	(Ω)	(Ω)
LB080	0.080	0.160	0.35	3.00*	250	3.0	1.0	15.00	22.00
LB080U	0.080	0.160	0.35	3.00*	250	3.0	1.0	14.00	20.00
LB110	0.110	0.220	1.00	1.15	250	3.0	1.0	7.00	11.00
LB110U	0.110	0.220	1.00	0.75	250	3.0	1.0	6.50	11.50
LB120	0.120	0.240	1.00	1.00	250	3.0	1.0	4.00	12.00
LB120U	0.120	0.240	1.00	0.90	250	3.0	1.0	6.00	12.00
LB145	0.145	0.290	1.00	2.50	250	3.0	1.0	3.00	7.50
LB145U	0.145	0.290	1.00	2.00	250	3.0	1.0	3.50	6.50
LB180	0.180	0.360	1.00	17.00	250	10.0	1.0	0.80	2.00
LB180U	0.180	0.360	1.00	15.00	250	10.0	1.0	0.80	2.00
LBV150	0.150	0.300	1.00	5.00	600	3.0	1.0	6.00	12.00
LBV160	0.160	0.320	1.00	7.00	600	3.0	1.0	4.00	10.00