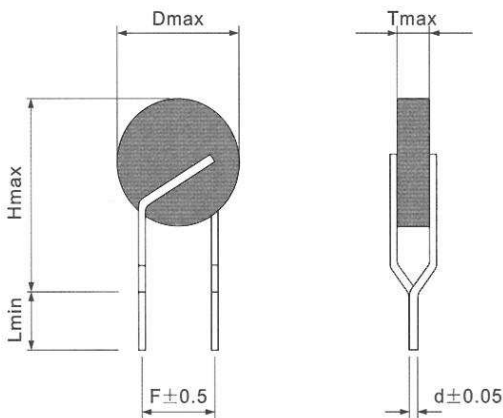


ESKA Fuses

■ Product Dimensions(mm)

Part number	D Max.	T Max.	H Max.	L Min.	F Typ.
SCB-2R4-141AXN	22.0	5.0	25.5	10.0	5.0
SCB-3R7-261AXN	22.0	5.0	25.5	10.0	5.0
SCB-4R0-251ATN	13.0	5.0	16.5	10.0	5.0
SCB-6R0-261AXN	17.5	5.0	21.0	10.0	5.0
SCB-100-261AXN	14.0	5.0	17.0	10.0	5.0
SCB-150-261AXN	11.0	5.0	14.5	10.0	5.0
SCB-180-261AXN	15.7	6.5	18.0	10.0	5.0
SCB-250-261AXN	9.0	5.0	12.5	10.0	5.0
SCB-350-261AXN	9.0	5.0	12.5	10.0	5.0
SCB-450-261AXN	9.0	5.0	12.5	10.0	5.0
SCB-550-261AXN	9.0	5.0	12.5	10.0	5.0
SCB-650-261AXN	9.0	5.0	12.5	10.0	5.0
SCB-750-261AXN	7.0	5.0	10.0	10.0	5.0
SCB-820-261AXN	9.0	5.0	12.5	10.0	5.0
SCB-121-261AXN	7.0	5.0	9.0	10.0	5.0
SCB-131-351AXN	9.0	5.0	12.5	10.0	5.0
SCB-151-261AXN	7.0	5.0	9.0	10.0	5.0
SCB-181-501ATM	9.0	5.0	12.5	10.0	5.0
SCB-351-601AYN	9.0	5.0	12.5	10.0	5.0
SCB-501-601AXN	6.5	5.0	9.0	10.0	5.0



■ Marking System:

SCB	←	Part series
2R4	←	Resistance

※ Lead materials: Tin-plate metal wire.

Part numbering system: SCB-131-351AXN	
1 2 3 4 5 6	
1. Series code	Overcurrent protection for industrial controls
2. Resistance @25°C (Ω)	2 significant digits + multiplier e.g: 131 =130Ω 2R4=2.4Ω
3. Max. voltage	2 significant digits + multiplier e.g: : 351=350V
4. Product form	A. leaded disks with coating B. Disk C. leaded disks without coating D. reel tape
5. T _r	Q:≤50°C R: 60°C S:70°C T:80°C U:90°C V:100°C W:110°C X:120°C Y:130°C Z:≥140°C
6. Resistance tolerance	K: ± 10% L: ± 15% M: ± 20% N: ± 25% P: ± 30%

■ Electrical Characteristics

Part number	R (25°C)	V _{max} (VAC)	I _H (mA)	I _T (mA)	T _r (°C)	I _{max} (A)	Mark	Agency Recognition
SCB-2R4-141AXN	2.4	140	600	1200	120	8.0	SCB2R4	-
SCB-3R7-261AXN	3.7	265	460	920	120	6.0	SCB3R7	TUV
SCB-4R0-251ATN	4.0	250	250	500	80	6.0	SCB4R0	-
SCB-6R0-261AXN	6.0	265	330	660	120	4.0	SCB6R0	TUV
SCB-100-261AXN	10	265	200	400	120	2.2	SCB100	-
SCB-150-261AXN	15	265	140	280	120	1.5	SCB150	-
SCB-180-261AXN	18	265	180	400	120	1.0	SCB180	-
SCB-250-261AXN	25	265	100	200	120	1.0	SCB250	-
SCB-350-261AXN	35	265	80	160	120	1.0	SCB350	-
SCB-450-261AXN	45	265	70	140	120	1.0	SCB450	-
SCB-550-261AXN	55	265	60	125	120	1.0	SCB550	-
SCB-650-261AXN	65	265	55	110	120	1.0	SCB650	-
SCB-750-261AXN	75	265	50	100	120	0.4	SCB750	TUV, UL
SCB-820-261AXN	82	265	60	150	120	0.4	SCB820	-
SCB-121-261AXN	120	265	35	85	120	0.4	SCB121	-
SCB-131-351AXN	130	350	45	90	120	0.2	SCB131	-
SCB-151-261AXN	150	265	28	60	120	0.2	SCB151	-
SCB-181-501ATM	185	500	25	55	80	0.2	SCB181	-
SCB-351-601AYN	350	600	30	60	130	0.2	SCB351	-
SCB-501-601AXN	500	600	15	40	120	0.2	SCB501	-

- I_H = Hold current: max current at which the device will not trip at 25°C still air.
- I_T = Trip current: min current at which the device will always trip at 25°C still air.
- V_{max} = Max voltage device can withstand without damage.
- T_r = Reference Curie temperature.

■ Package Information

Bulk:

- 200pcs per bag

Tape & Reel:

- 1000pcs per reel.